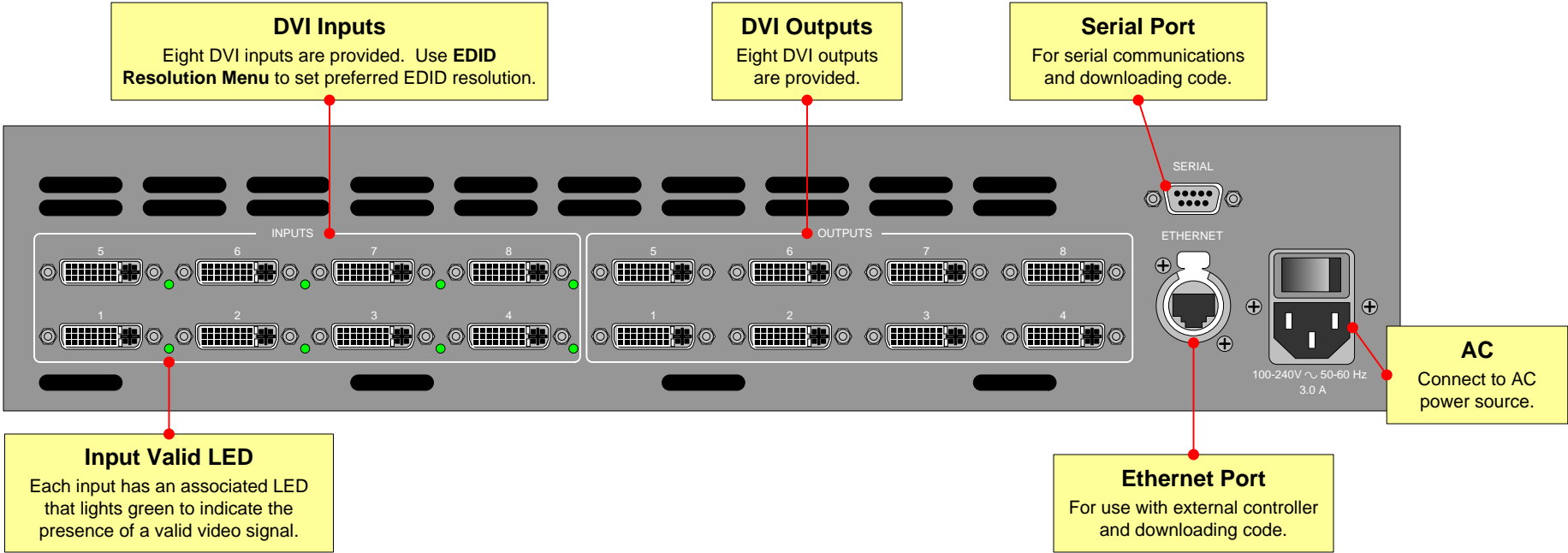


MatrixPRO 8x8 DVI

Quick Start Guide

Barco, Inc.

Toll Free: +1 (888) 414-7226
 Fax: +1 (916) 859-2515
 Technical Support: +1 (866) 374-7878
 Website: www.barco.com



Quick Install

Signal Connection and Factory Reset

1. Observe all safety precautions. Rackmount chassis, or install in "tabletop" configuration.
2. Connect outputs from DVI sources to DVI inputs 1 through 8.
3. Connect MatrixPRO outputs 1 through 8 to DVI inputs on destination devices.
4. (Optional) For Ethernet connection, use a "local" network only. Connect MatrixPRO's Ethernet Port to hub. Connect hub to peripheral Ethernet devices.
5. (Optional) For serial connection, connect MatrixPRO's RS-232 port to external RS-232 device (e.g., PC).
6. Turn power on.
5. (Optional) Perform a factory reset: **Main Menu > Setup > Factory Reset**,

This action cancels all routes, clears all presets, and resets IP address to default.

Common Setup Functions

Set EDID Resolution

1. **Main Menu > EDID Setup.**
2. Scroll to "Input" line,
3. Rotate **ADJUST** knob to select individual or all inputs,
4. Scroll to "Format" line,
5. Rotate **ADJUST** knob to select preferred resolution,
6. Reboot external computers.

Pre-select a Test Pattern

1. **Main Menu > Test Pattern.**
2. Scroll to "Output" line,
3. Rotate **ADJUST** knob to select individual or all outputs,
4. Scroll to "Type" line,
5. Rotate **ADJUST** knob to select a test pattern,

Common Setup Functions

Enable/disable DHCP

1. **Main Menu > Setup > System.**
2. Scroll to "DHCP" line,
3. Rotate **ADJUST** knob to preferred setting,

Unlock Control Panel

If the panel is locked and it is required that you gain access:

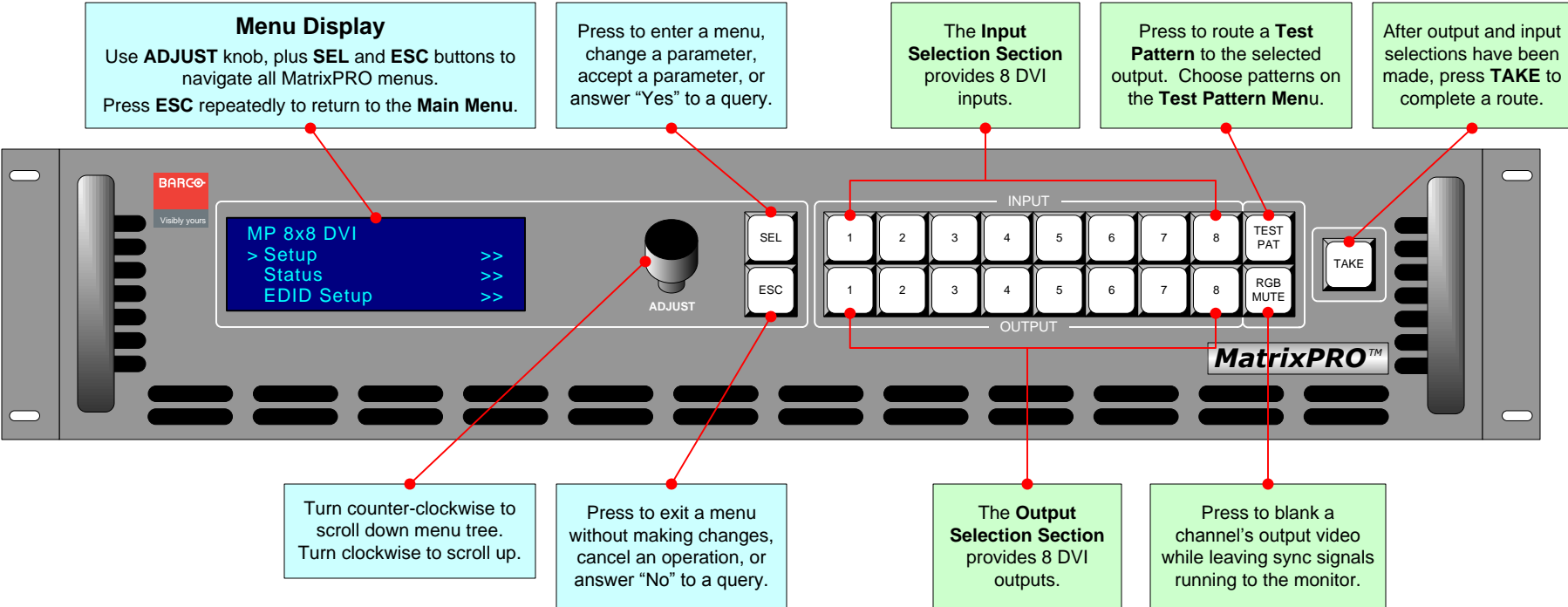
1. Ensure that panel is currently (or temporarily) available for local use.
2. Press (simultaneously) + +

MatrixPRO 8x8 DVI Router User's Guide

- For complete details on all installation and operating procedures, please refer to the MatrixPRO 8x8 DVI Router User's Guide.

MatrixPRO 8x8 DVI

Quick Start Guide



Status Menu

Shows all current input-to-output assignments (routes).

- Displays inputs routed to the outputs directly below.
 - # = input, - = output is blanked
 - T = Test Pattern, B = RGB Mute,

INPUT STATUS
- 3 T - 7 B
OUTPUT STATUS
1 2 3 4 5 6

Indicates 8 output channels. Use ADJUST knob to scroll through the outputs.

In the User's Guide, refer to the "Status Menu" section for additional details.

Common Operating Functions

- Perform a Take:** Select Output, select Input,
 - Clear a Route:** Select Output to clear, select current input (or , or),
 - Route a Test Pattern:** Select pattern on **Test Pattern Menu**, select Output, ,
 - Mute an Output:** Select Output, ,
 - Create a Group:** Press and *hold* first output. While holding, press buttons for additional inputs and outputs. Release first output.
- In the User's Guide, refer to the "Quick Function Reference" table for shortcuts to all functions.

Menu Tree — only top level functions are shown

